

## SHARD PENDANT

### FINISH

antique bronze with bronze kiln glass  
 antique bronze with honed alabaster  
 polished nickel with bronze kiln glass  
 polished nickel with honed alabaster

### DIMENSIONS (body of fixture)

650 x 650 x 425 mm (l x w x h)  
 25.6 x 25.6 x 16.7 in (l x w x h)

### WEIGHT

15kg (33.1lbs)  
 please ensure ceiling structure is strong enough to support the weight of the light

### OVERALL DROP

minimum 550 mm (21.7 in)  
 maximum on request 3094 mm (121.8 in)  
 supplied with 1 x 1000mm (.4 x 39.3 in) drop rod (16 mm/.62 in dia) as standard (adjust- able on site)

### ILLUMINATION

220-240v - integrated LED - 22.5w - 2700k  
 110-130v - integrated LED - 22.5w - 2700k

### DIMMING

trailing dimmable / phase cut (rotary dimmer) - standard  
 DALI option available (220-240v only)

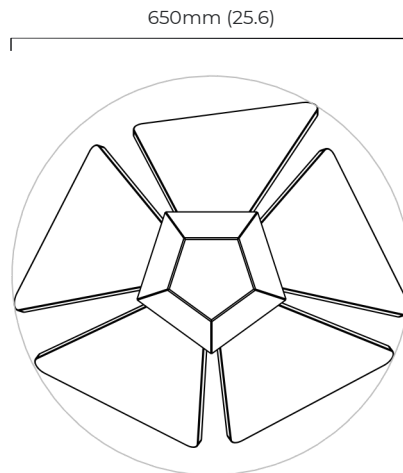
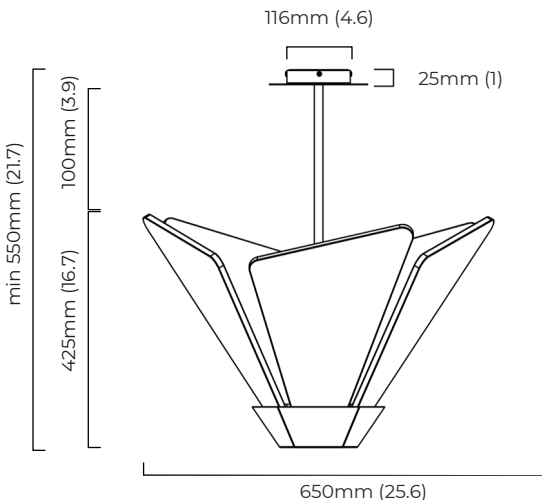
### CEILING ROSE / PLATE

116mm/4.6 diameter

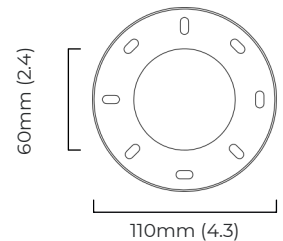
### CERTIFICATION



### VIEW ON WEBSITE



mounting plate dimensions



\*Diagrams are not to scale.

## SHARD PENDANT DALI A

### FINISH

antique bronze with bronze kiln glass  
 antique bronze with honed alabaster  
 polished nickel with bronze kiln glass  
 polished nickel with honed alabaster

### DIMENSIONS (body of fixture)

650 x 650 x 425 mm (l x w x h)  
 25.6 x 25.6 x 16.7 in (l x w x h)

### WEIGHT

15kg (33.1lbs)  
 please ensure ceiling structure is strong enough to support the weight of the light

### OVERALL DROP

minimum 550 mm (21.7 in)  
 maximum on request 3094 mm (121.8 in)  
 supplied with 1 x 1000mm drop rod (16 mm dia) as standard (adjustable on site)

### ILLUMINATION

220-240v - integrated LED - 22.5w - 2700k  
 DALI LED converter to be installed in the ceiling rose

### DIMMING

DALI compatible DALI converter to be installed in the ceiling rose

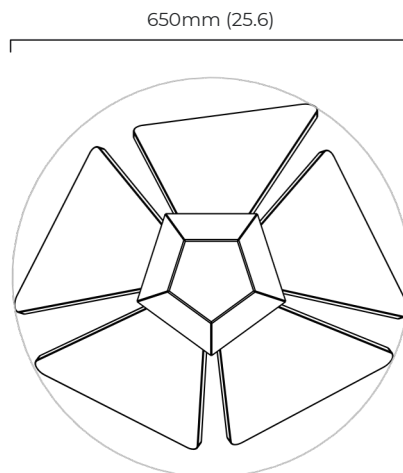
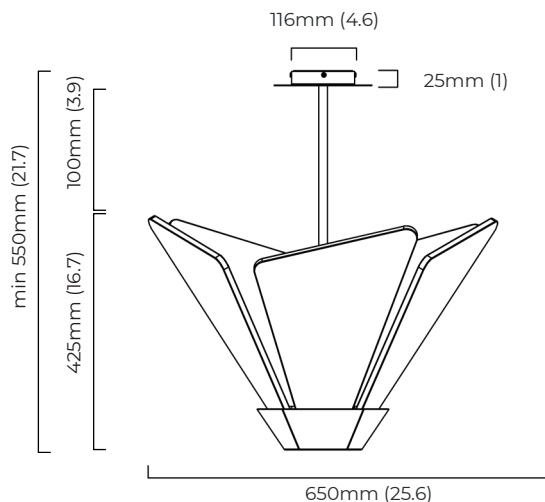
### CEILING ROSE / PLATE

116mm/4.6 in. (diameter)

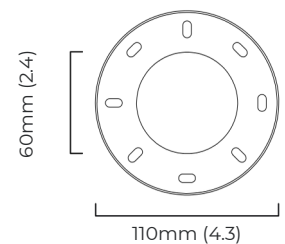
### CERTIFICATION



### VIEW ON WEBSITE



mounting plate dimensions



\*Diagrams are not to scale.

## SHARD PENDANT

### SHARD PENDANT

SKU NUMBER	FINISH DESCRIPTION	VOLTAGE
SHAPEOABBG-240	antique bronze with bronze kiln glass- 240V	220 - 240V
SHAPEOABBG-110	antique bronze with bronze kiln glass- 110V	110 - 130V
SHAPEOABHA-240	antique bronze with honed alabaster- 240V	220 - 240V
SHAPEOABHA-110	antique bronze with honed alabaster- 110V	110 - 130V
SHAPEOPNBG-240	polished nickel with bronze kiln glass- 240V	220 - 240V
SHAPEOPNBG-110	polished nickel with bronze kiln glass- 110V	110 - 130V
SHAPEOPNHA-240	polished nickel with honed alabaster- 240V	220 - 240V
SHAPEOPNHA-110	polished nickel with honed alabaster- 110V	110 - 130V

### SHARD PENDANT DALI A

SKU NUMBER	FINISH DESCRIPTION	TYPE OF DALI	VOLTAGE
SHAPEOABBG-DALIA-240	antique bronze with bronze kiln glass- 240V	DALI A included - For lights that do not require aesthetic alterations. Dali can be fitted on the existent ceiling/wall rose	220 - 240V
SHAPEOABHA-DALIA-240	antique bronze with honed alabaster- 240V	DALI A included - For lights that do not require aesthetic alterations. Dali can be fitted on the existent ceiling/wall rose	220 - 240V
SHAPEOPNBG-DALIA-240	polished nickel with bronze kiln glass- 240V	DALI A included - For lights that do not require aesthetic alterations. Dali can be fitted on the existent ceiling/wall rose	220 - 240V
SHAPEOPNHA-DALIA-240	polished nickel with honed alabaster- 240V	DALI A included - For lights that do not require aesthetic alterations. Dali can be fitted on the existent ceiling/wall rose	220 - 240V