

RELIC WALL

FINISH

antique bronze with bronze kiln glass
 antique bronze with honed alabaster
 polished nickel with bronze kiln glass
 polished nickel with honed alabaster

DIMENSIONS (body of fixture)

270 x 150 x 360 mm (l x w x h)
 10.6 x 5.9 x 14.2 in (l x w x h)

WEIGHT

5kg (11lbs)

ILLUMINATION

220-240v - integrated LED - 9w - 2700k
 110-130v - integrated LED - 9w - 2700k

DIMMING

trailing dimmable / phase cut (rotary dimmer) -
 standard DALI option available (220-240v only)

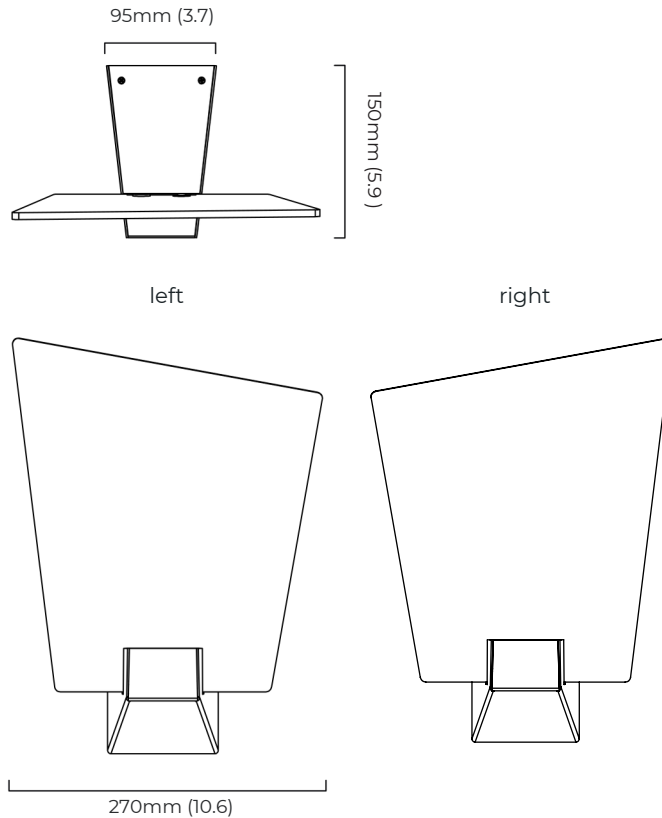
WALL ROSE / PLATE

90 x 95 mm (l x w)
 3.5 x 3.7 in (l x w)

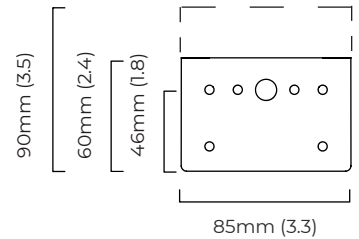
CERTIFICATION



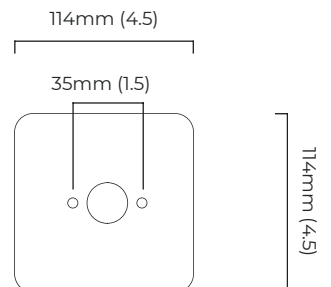
[VIEW ON WEBSITE](#)



mounting plate dimensions



North America junction box cover



*Diagrams are not to scale.

RELIC WALL DALI A

FINISH

antique bronze with bronze kiln glass
 antique bronze with honed alabaster
 polished nickel with bronze kiln glass
 polished nickel with honed alabaster

DIMENSIONS (body of fixture)

270 x 150 x 360 mm (l x w x h)
 10.6 x 5.9 x 14.2 in (l x w x h)

WEIGHT

5kg (11lbs)

ILLUMINATION

220-240v - integrated LED - 9w - 2700k

DIMMING

DALI compatible DALI converter can be fitted
 inside the body of the light

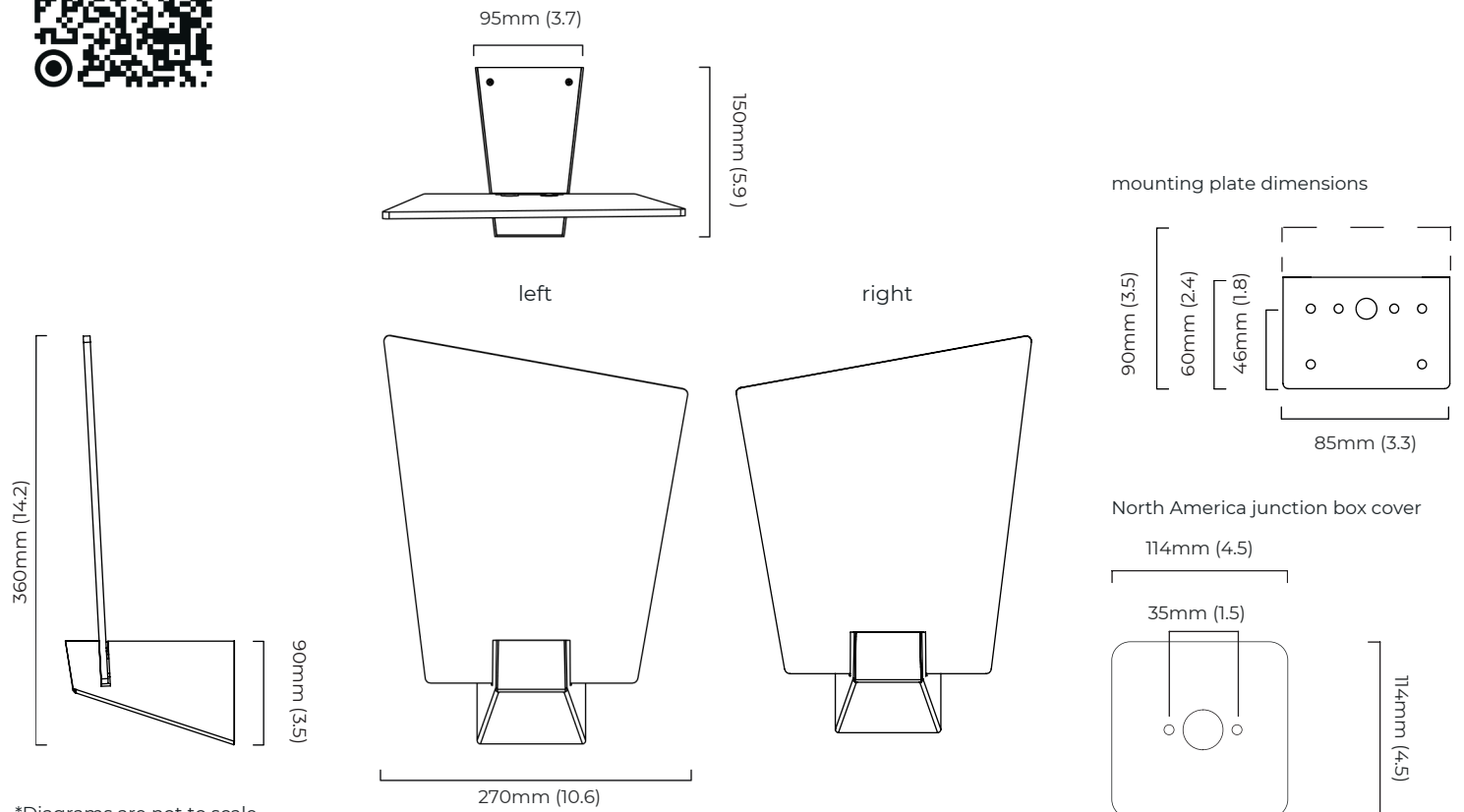
WALL ROSE / PLATE

90 x 95 mm (l x w)
 3.5 x 3.7 in (l x w)

CERTIFICATION



[VIEW ON WEBSITE](#)



*Diagrams are not to scale.

RELIC WALL

RELIC WALL LEFT

SKU NUMBER	FINISH DESCRIPTION	VOLTAGE
RELWALABBG-240	antique bronze with bronze kiln glass- 240V	220 - 240V
RELWALABBG-110	antique bronze with bronze kiln glass- 110V	110 - 130V
RELWALABHA-240	antique bronze with honed alabaster- 240V	220 - 240V
RELWALABHA-110	antique bronze with honed alabaster- 110V	110 - 130V
RELWALPNBG-240	polished nickel with bronze kiln glass- 240V	220 - 240V
RELWALPNBG-110	polished nickel with bronze kiln glass- 110V	110 - 130V
RELWALPNHA-240	polished nickel with honed alabaster- 240V	220 - 240V
RELWALPNHA-110	polished nickel with honed alabaster- 110V	110 - 130V

RELIC WALL LEFT DALI A

SKU NUMBER	FINISH DESCRIPTION	VOLTAGE
RELWALABBG-DALIA-240	antique bronze with bronze kiln glass- 240V	DALI A included - For lights that do not require aesthetic alterations. Dali can be fitted inside the body of the light 220 - 240V
RELWALABHA-DALIA-240	antique bronze with honed alabaster- 240V	DALI A included - For lights that do not require aesthetic alterations. Dali can be fitted inside the body of the light 220 - 240V
RELWALPNBG-DALIA-240	polished nickel with bronze kiln glass- 240V	DALI A included - For lights that do not require aesthetic alterations. Dali can be fitted inside the body of the light 220 - 240V
RELWALPNHA-DALIA-240	polished nickel with honed alabaster- 240V	DALI A included - For lights that do not require aesthetic alterations. Dali can be fitted inside the body of the light 220 - 240V

RELIC WALL

RELIC WALL RIGHT

SKU NUMBER	FINISH DESCRIPTION	VOLTAGE
RELWARABBG-240	antique bronze with bronze kiln glass- 240V	220 - 240V
RELWARABBG-110	antique bronze with bronze kiln glass- 110V	110 - 130V
RELWARABHA-240	antique bronze with honed alabaster- 240V	220 - 240V
RELWARABHA-110	antique bronze with honed alabaster- 110V	110 - 130V
RELWARPNBG-240	polished nickel with bronze kiln glass- 240V	220 - 240V
RELWARPNBG-110	polished nickel with bronze kiln glass- 110V	110 - 130V
RELWARPNHA-240	polished nickel with honed alabaster- 240V	220 - 240V
RELWARPNHA-110	polished nickel with honed alabaster- 110V	110 - 130V

RELIC WALL RIGHT DALI A

SKU NUMBER	FINISH DESCRIPTION	VOLTAGE
RELWARABBG-DALIA-240	antique bronze with bronze kiln glass- 240V	DALI A included - For lights that do not require aesthetic alterations. Dali can be fitted inside the body of the light 220 - 240V
RELWARABHA-DALIA-240	antique bronze with honed alabaster- 240V	DALI A included - For lights that do not require aesthetic alterations. Dali can be fitted inside the body of the light 220 - 240V
RELWARPNBG-DALIA-240	polished nickel with bronze kiln glass- 240V	DALI A included - For lights that do not require aesthetic alterations. Dali can be fitted inside the body of the light 220 - 240V
RELWARPNHA-DALIA-240	polished nickel with honed alabaster- 240V	DALI A included - For lights that do not require aesthetic alterations. Dali can be fitted inside the body of the light 220 - 240V