

ATELIER
Loupiote



Founder - Maxime DUBOIS

2020 - 2024

1

Our story

p.3

2

Distinction

p.5

3

*Ceiling
Fixtures*

p.7

4

*Table Lamps
(Children)*

p.30

5

Table Lamps

p.38

6

Wall Sconces

p.52

7

Floor Lamps

p.63



Our story



Atelier Loupiote is the dream of offering you a new approach to lighting; a counter current approach to current offerings promoting craftsmanship and localism.

Who are we?

Atelier Loupiote is the union between a State Certified Architect and an Industrial Engineering graduate who dream of offering you a new approach to interior lighting. A counter-current approach, promoting craftsmanship and localism.

Today, it is a team of design enthusiasts with diverse skills who don't just see lighting as an object, but as an element that creates continuity and coherence in our spaces. In other words, it's a key element that ensures well-being at home! Our designers draw their inspiration from minimalism and functionality to showcase sparkling aesthetics.

The founder, Maxime, a curious engineer and entrepreneur, represents the rational and technical side. With his experience, he bridges the gap between industrial manufacturing processes and the handmade. Technicality and precision are the keywords due to the thin thicknesses processed.

« Love against the current...
Relocalization at the heart...
Unique light... »





Distinction

Let us explain !

In the race towards globalization, we aim to be a pioneer in the relocalization of lamp production in France. Indeed, this declining activity has been divided by three over the past decade. Therefore, through our various designs, we propose to ensure the quality of "Made in France" as well as the durability of the products, by combining aesthetics, simplicity, and functionality.

How to do it ?

We opt not to search far and wide, instead, we carefully select premium wood species sourced from local sawmills. Our decision is to showcase the natural resources that define our landscapes, all within a short supply chain.

Each model is designed as a sculptural, open-work object, offering a unique luminous universe, thanks to its slender and finely slatted wooden structure. The light gains its warm character through the contrasts and natural reflections of the wood throughout your interior spaces. It is this material, worked only in thin thicknesses, that characterizes us.

In this responsible design and production approach, we also consider optimizing logistics. To reduce storage and transportation costs and make our designs more affordable, our wooden lamps are fat-packed as kits in attractive recyclable boxes. This approach also leads to another important criterion: involving the consumer more in the product's story.

Localism

*Singular
design &
lighting*

*Crafts-
manship*

*Well-being
at home*





Our lamps

Our pendant lights

The pendants from our workshop are crafted to ensure harmony between luminous quality and design with clean lines and natural finish. Something bright awaits you !

- 1 Albatros
- 2 Ava
- 3 Ariel
- 4 Aurora
- 5 Azur
- 6 Néo
- 7 Mini Néo
- 8 Atlas
- 9 Andormède
- 10 Ambre
- 11 Antoine



Albatros

A glimpse into its universe

Albatros is a magnificent luminaire that dominates spaces. The slender wooden slats play with light, diffusing brightness and casting delicate shadow patterns on the ceiling. It will fit perfectly as the central lighting of your spaces. But it's also ideal above a dining table, buffet, or kitchen island.

Secured by a metal ceiling rose, the product includes an adjustable 4.92 feet textile cable, as well as an E26 socket. To fix the ceiling rose, you will find plugs and screws in your box.

The choice of the bulb significantly influences the lighting ambiance of our creations and your spaces.

You have the flexibility to adjust the color temperature, intensity, and design of the LED filaments.

Assembly time: 17 to 20 minutes

For pendant lights, **we recommend 3000K bulbs, a great compromise between illumination and warmth.**

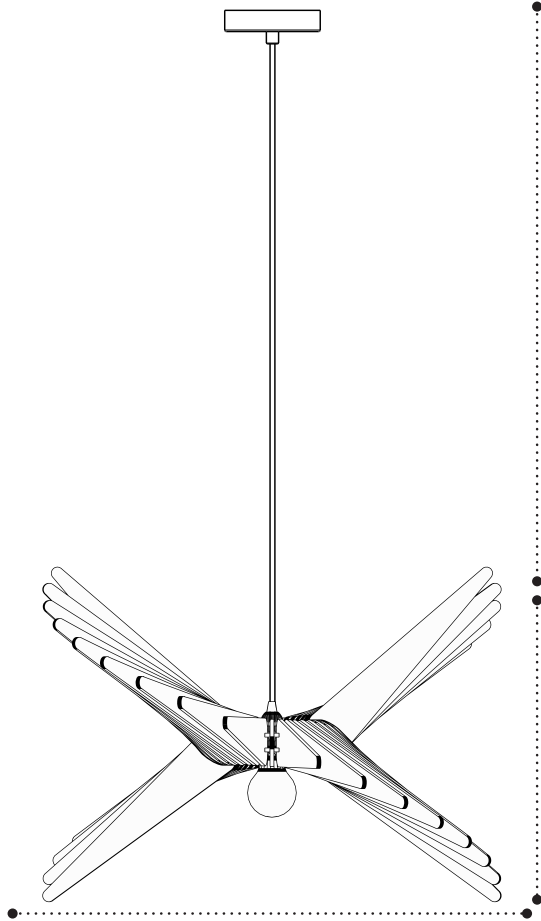
Cable :

Available in white and natural color.





Cable:
Adjustable
from 3.28 ft to
4.92 ft.



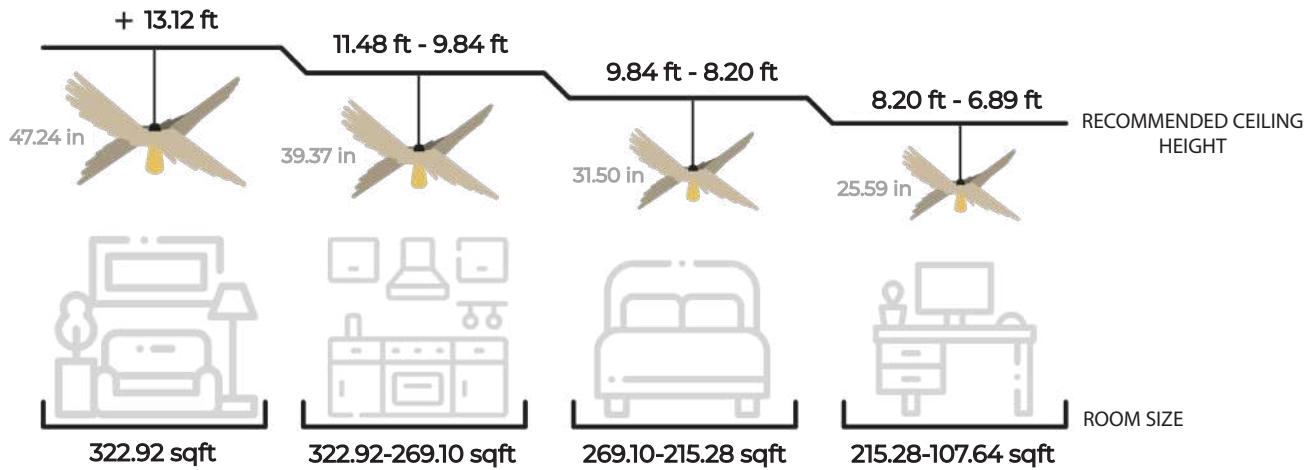
**Available in multiple sizes, suitable
for any type of space.**

See size guide / Next page



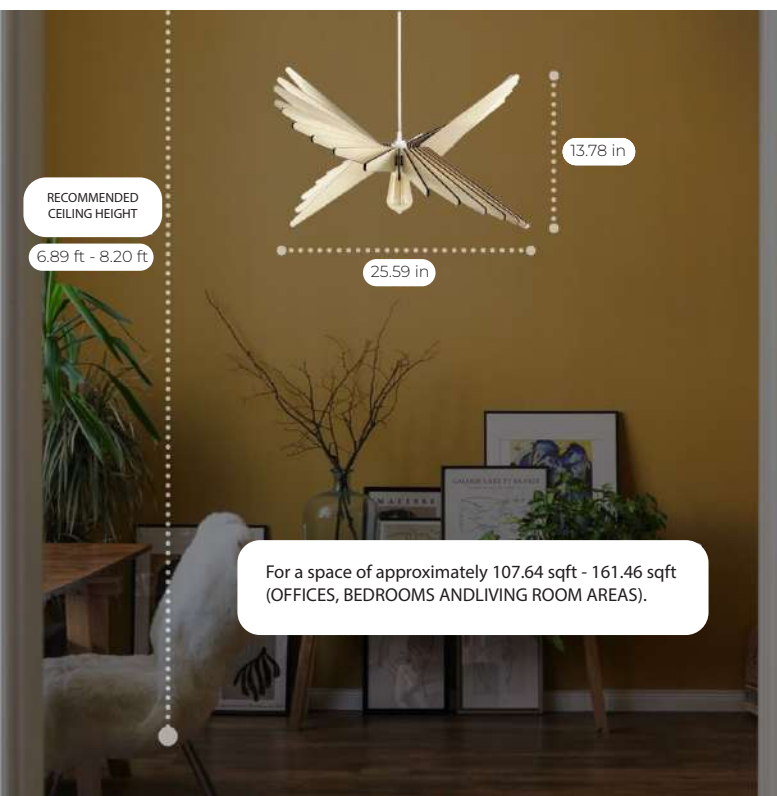
Choosing the right size.....

Size guide



In areas of high foot traffic such as corridors, it is advisable to maintain a minimum clearance of 6.56 feet between the pendant light and the floor to ensure the safety of individuals passing beneath.

To provide illumination over a dining table, the pendant-to-floor clearance can be reduced to 62.99 inches, as opposed to the standard 6.56 feet clearance.



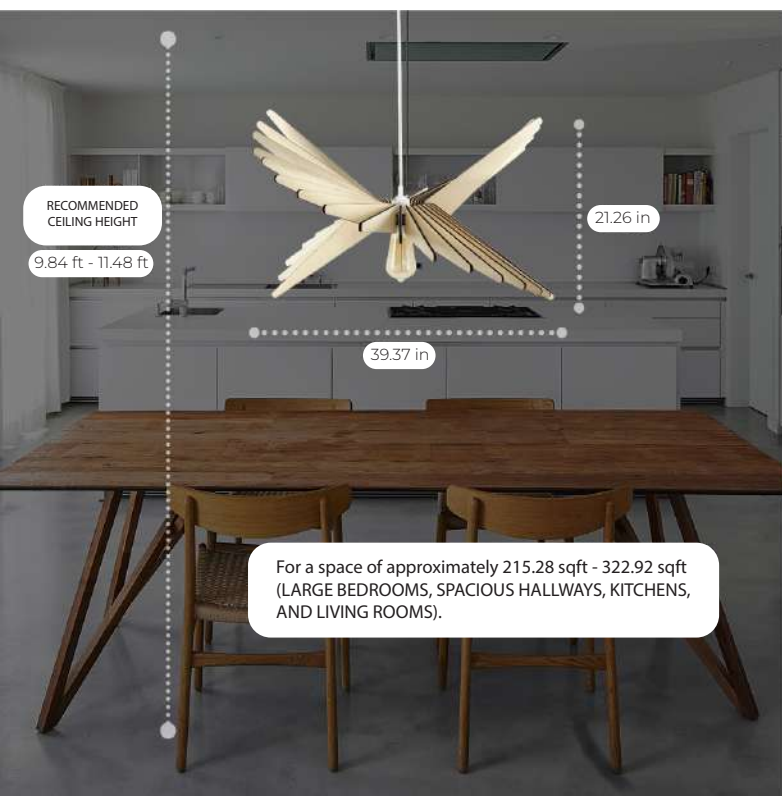
The diffusion of light



« As true light sculptors, we meticulously craft light and shadow interplays from the initial design phase, ensuring a unique and balanced outcome throughout your spaces.



Atelier Loupiote





A glimpse into its universe

Simple and minimalist, Azur, characterized by its refined curvature, seamlessly integrates into a multitude of décors. The wooden slats diffuse warm light, making it ideal for placement above a dining table, buffet, or kitchen island. Designed by our creative workshop and manufactured utilizing precision laser cutting technology.

Secured by a metal ceiling rose, the product includes an adjustable 4.92 feet textile cable, as well as an E26 socket. To fix the ceiling rose, you will find plugs and screws in your box.

The choice of the bulb significantly influences the lighting ambiance of our creations and your spaces.

You have the flexibility to adjust the color temperature, intensity, and design of the LED filaments.

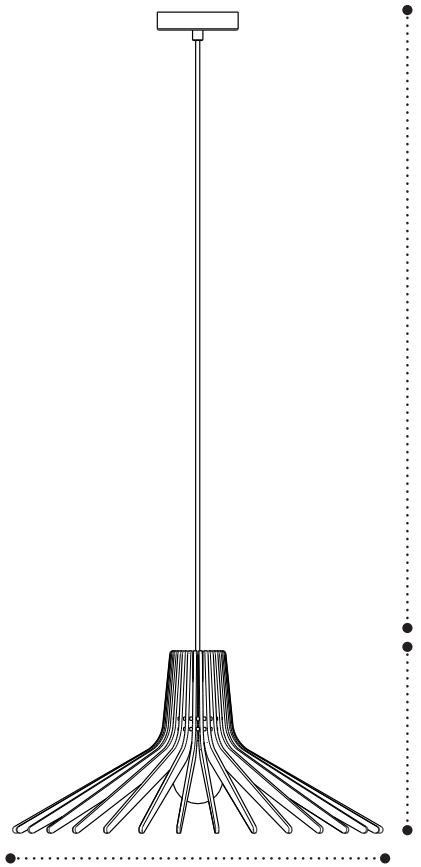
Assembly time: 14 to 16 minutes

For pendant lights, **we recommend 3000K bulbs, a great compromise between illumination and warmth.**

Cable :

Available in white and natural color.





Cable :
Adjustable from
3.28 ft to 4.92 ft

Height :
10.63 in

Diameter : 21.26 in



A glimpse into its universe

Ava, delicate in nature, will bring warmth, sometimes soft and muted, other times radiant and luminous. The perforated blades bring timeless elegance and accentuate your spaces. It fits perfectly as lighting for a bedroom, a living room, or above a dining table.



Secured by a metal ceiling rose, the product includes an adjustable 4.92 feet textile cable, as well as an E26 socket. To fix the ceiling rose, you will find plugs and screws in your box.



The choice of the bulb significantly influences the lighting ambiance of our creations and your spaces.

You have the flexibility to adjust the color temperature, intensity, and design of the LED filaments.



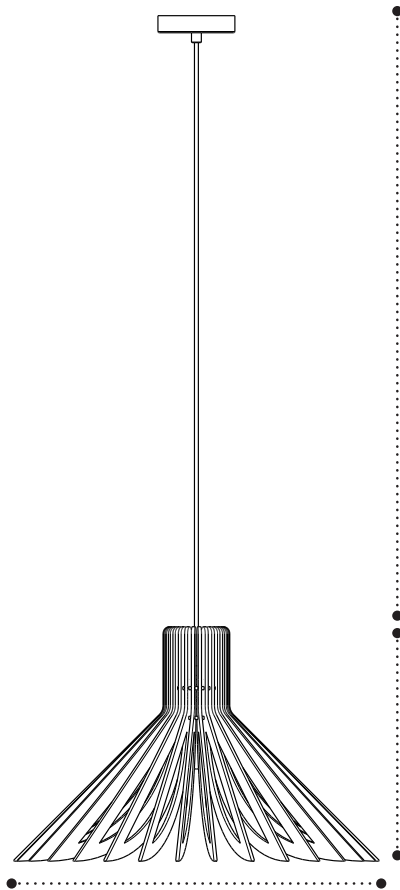
Assembly time: 14 to 16 minutes

For pendant lights, **we recommend 3000K bulbs, a great compromise between illumination and warmth.**

Cable :

Available in white and natural color.





Cable :
Adjustable from
3.28 ft to 4.92 ft

Height :
14.17 in

Diameter: 22.44 in



Andromède

A glimpse into its universe

Simple and minimalist, Andromède adapts to numerous décors. The narrow and tapered geometry brought by the wooden slats allows for intense and warm light. Whether used alone or in pairs, it's ideal above a dining table, buffet, or kitchen island.

Secured by a metal ceiling rose, the product includes an adjustable 4.92 feet textile cable, as well as an E26 socket. To fix the ceiling rose, you will find plugs and screws in your box.

The choice of the bulb significantly influences the lighting ambiance of our creations and your spaces.

You have the flexibility to adjust the color temperature, intensity, and design of the LED filaments.

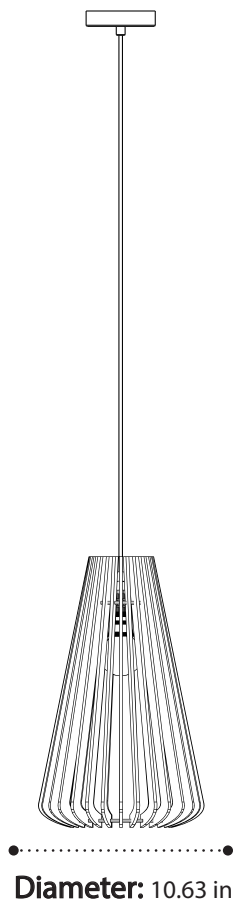
Assembly time: 14 to 16 minutes

For pendant lights, **we recommend 3000K bulbs, a great compromise between illumination and warmth.**

Cable :

Available in white and natural color.

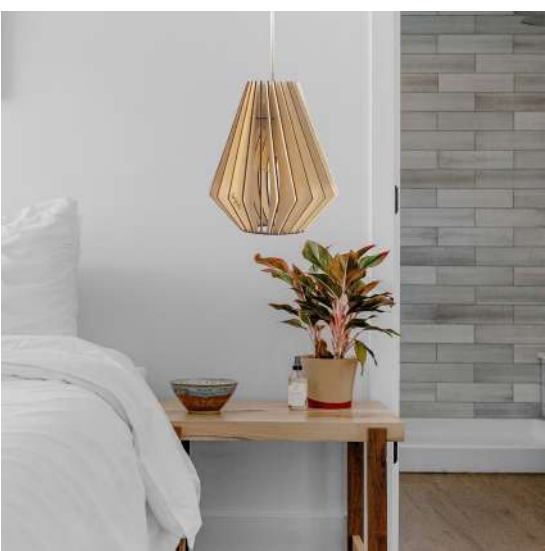




Cable :
Adjustable from
3.28 ft to 4.92 ft

Height :
17.72 in

Diameter: 10.63 in



Ambre

A glimpse into its universe

The light of Ambre provides the eye with an exquisite interplay. The wooden slats gracefully angle towards the light source, producing a warm and convivial diffusion. Perfect for smaller spaces or arranged in pairs or trios above a dining table, bar, or even a bedside table.

Secured by a metal ceiling rose, the product includes an adjustable 4.92 feet textile cable, as well as an E26 socket. To fix the ceiling rose, you will find plugs and screws in your box.

The choice of the bulb significantly influences the lighting ambiance of our creations and your spaces.

You have the flexibility to adjust the color temperature, intensity, and design of the LED filaments.

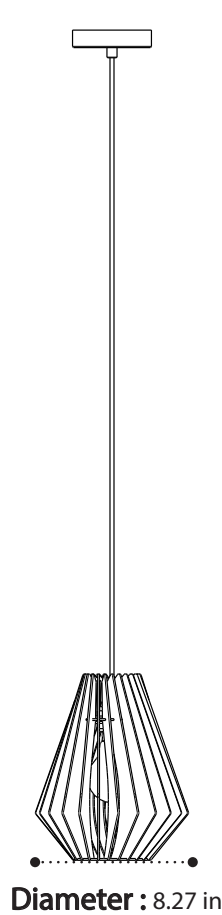
Assembly time: 17 to 20 minutes

For pendant lights, **we recommend 3000K bulbs, a great compromise between illumination and warmth.**

Cable :

Available in white and natural color.





Cable :
Adjustable from
3.28 ft to 4.92 ft

Height :
29 cm

Diameter : 8.27 in



Atlas

A glimpse into its universe

Sleek and minimalist, Atlas seamlessly complements a wide range of décors. The generous and refined geometry of its wooden slats offers warm and diffused illumination. Whether used solo or in pairs, it is ideal for placement above a dining table, buffet, or kitchen island.

Secured by a metal ceiling rose, the product includes an adjustable 4.92 feet textile cable, as well as an E26 socket. To fix the ceiling rose, you will find plugs and screws in your box.

The choice of the bulb significantly influences the lighting ambiance of our creations and your spaces.

You have the flexibility to adjust the color temperature, intensity, and design of the LED filaments.

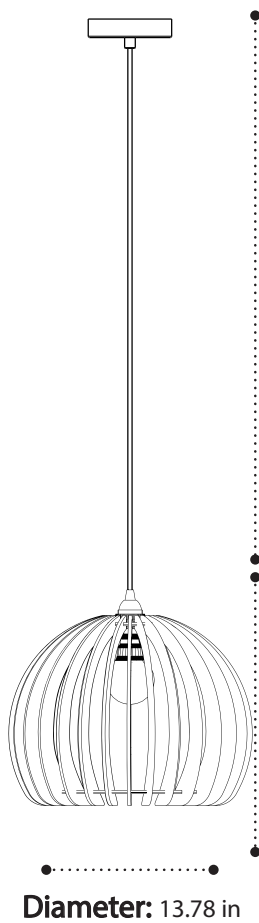
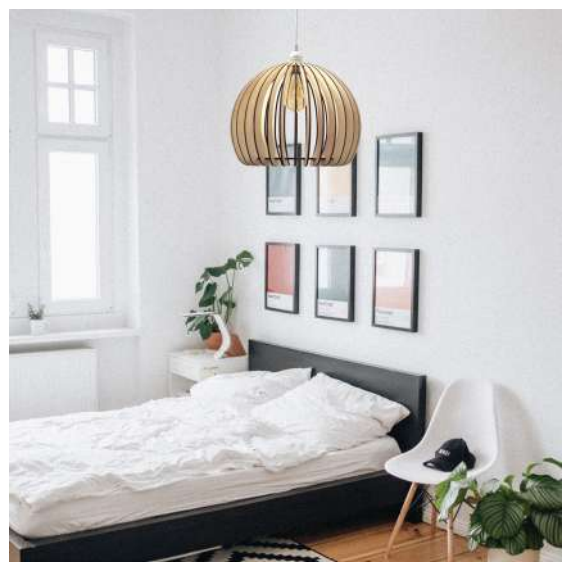
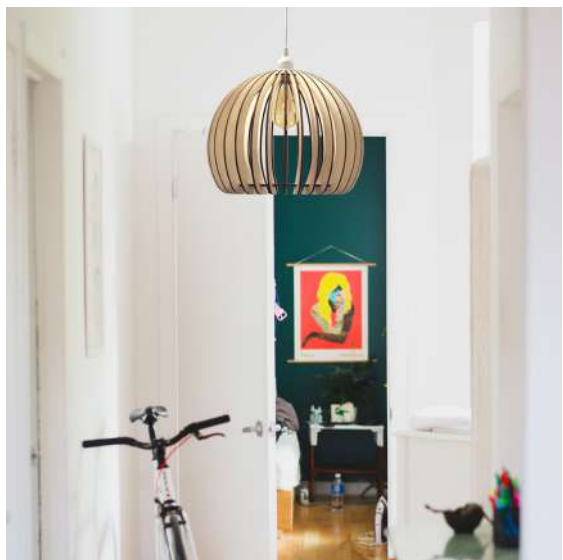
Assembly time: 14 to 16 minutes

For pendant lights, we recommend **3000K bulbs, a great compromise between illumination and warmth.**

Cable :

Available in white and natural color.







Ariel

A glimpse into its universe

Intersecting Andromède and Atlas, Ariel gracefully curves to present an enchanting design. Always simple and minimalist. Whether used individually or in pairs, it's ideal for placement above a dining table, buffet, or kitchen island

Secured by a metal ceiling rose, the product includes an adjustable 4.92 feet textile cable, as well as an E26 socket. To fix the ceiling rose, you will find plugs and screws in your box.

The choice of the bulb significantly influences the lighting ambiance of our creations and your spaces.

You have the flexibility to adjust the color temperature, intensity, and design of the LED filaments.

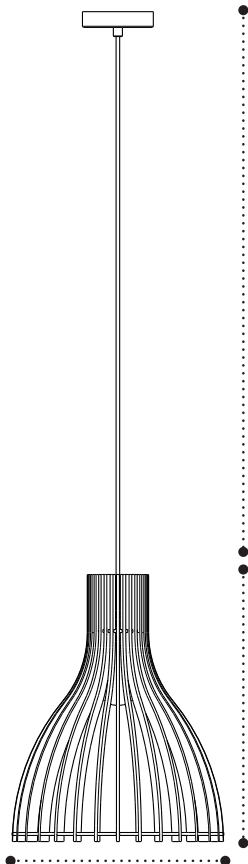
Assembly time: 17 to 20 minutes

For pendant lights, **we recommend 3000K bulbs, a great compromise between illumination and warmth.**

Cable :

Available in white and natural color.





Cable :
Adjustable from
3.28 ft to 4.92 ft

Height:
17.72 in

Diameter : 14.17 in



A glimpse into its universe

Born from the collaboration between Kipli and Atelier Loupiote, the NEO-pendant boasts delicate and elegant curves that cast captivating shadows, fostering a warm and natural ambience.

Whether employed individually, in pairs, or trios, NEO seamlessly integrates as the centerpiece lighting in your spaces.

Secured by a metal ceiling rose, the product includes an adjustable 4.92 feet textile cable, as well as an E26 socket. To fix the ceiling rose, you will find plugs and screws in your box.

The choice of the bulb significantly influences the lighting ambience of our creations and your spaces.

You have the flexibility to adjust the color temperature, intensity, and design of the LED filaments.

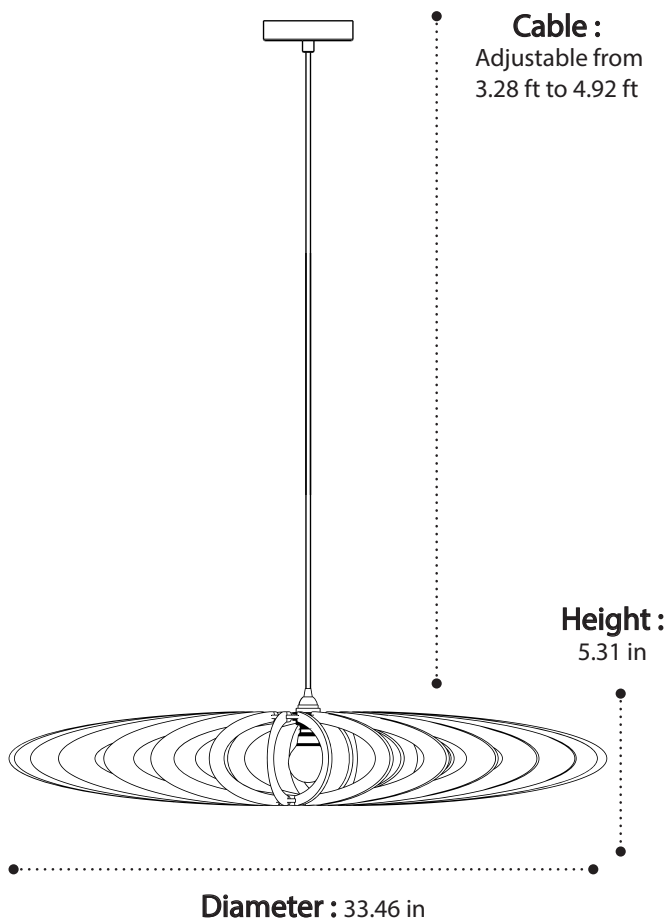
Assembly time: 17 to 20 minutes

For pendant lights, **we recommend 3000K bulbs, a great compromise between illumination and warmth.**

Cable :

Available in white and natural color.







Mini Néo

A glimpse into its universe

Arising from the collaboration between Kipli and Atelier Loupiote, the delicate and elegant curves of Mini NEO cast captivating shadows, fostering a warm and natural ambiance. Whether used alone or paired with NEO, this pendant seamlessly adapts as the centerpiece lighting in your spaces.

Secured by a metal ceiling rose, the product includes an adjustable 4.92 feet textile cable, as well as an E26 socket. To fix the ceiling rose, you will find plugs and screws in your box.

The choice of the bulb significantly influences the lighting ambiance of our creations and your spaces.

You have the flexibility to adjust the color temperature, intensity, and design of the LED filaments.

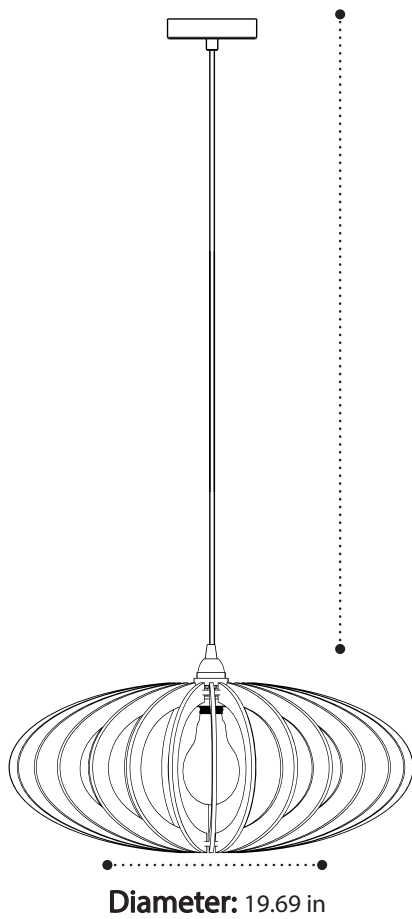
Assembly time: 14 to 16 minutes

For pendant lights, **we recommend 3000K bulbs, a great compromise between illumination and warmth.**

Cable :

Available in white and natural color.







Aurora

A glimpse into its universe

Aurora is a majestic and elegant luminaire that seamlessly adapts as the central lighting fixture for your spaces. With its ethereal and captivating presence, light is sculpted, enchanting your room with its magic.

Secured by a metal ceiling rose, the product includes an adjustable 4.92 feet textile cable, as well as an E26 socket. To fix the ceiling rose, you will find plugs and screws in your box.

The choice of the bulb significantly influences the lighting ambiance of our creations and your spaces.

You have the flexibility to adjust the color temperature, intensity, and design of the LED filaments.

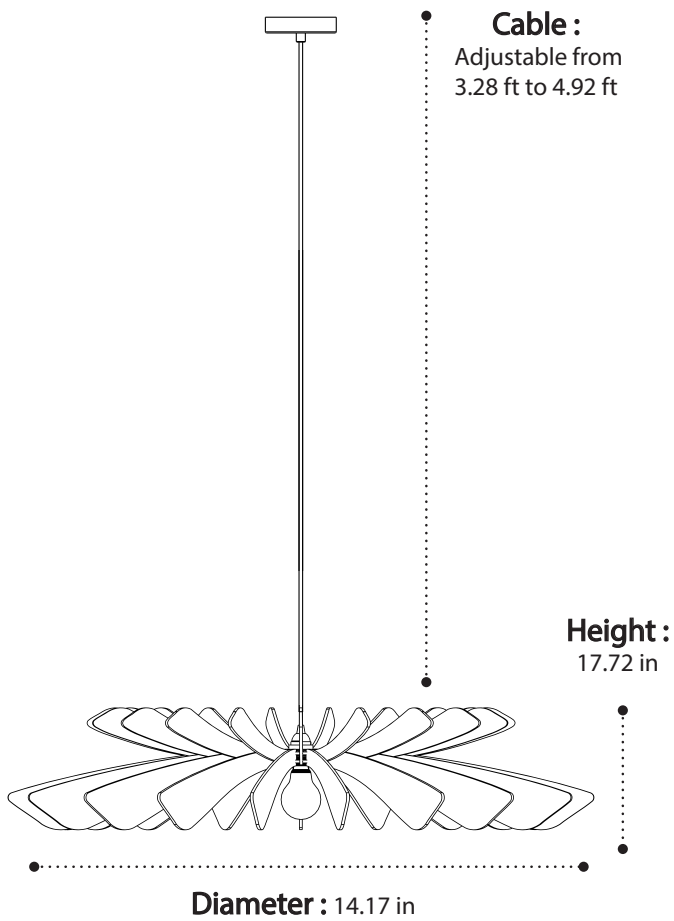
Assembly time: 17 to 20 minutes

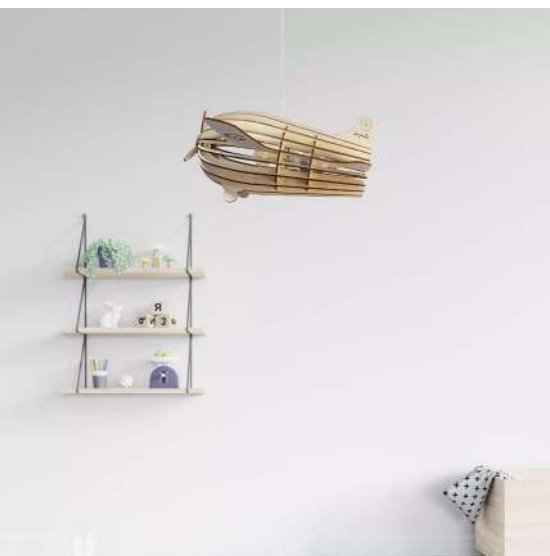
For pendant lights, we recommend **3000K bulbs, a great compromise between illumination and warmth.**

Cable :

Available in white and natural color.







Antoine

A glimpse into its universe

Antoine's light offers the eye a refined play. The wooden slats bow before the light source, creating a warm and inviting diffusion. It's a pendant for budding adventurers, a small nod to Antoine de Saint-Exupéry, a prominent figure from Lyon.

Secured by a metal ceiling rose, the product includes an adjustable 4.92 feet textile cable, as well as an E26 socket. To fix the ceiling rose, you will find plugs and screws in your box.

The choice of the bulb significantly influences the lighting ambiance of our creations and your spaces.

You have the flexibility to adjust the color temperature, intensity, and design of the LED filaments.

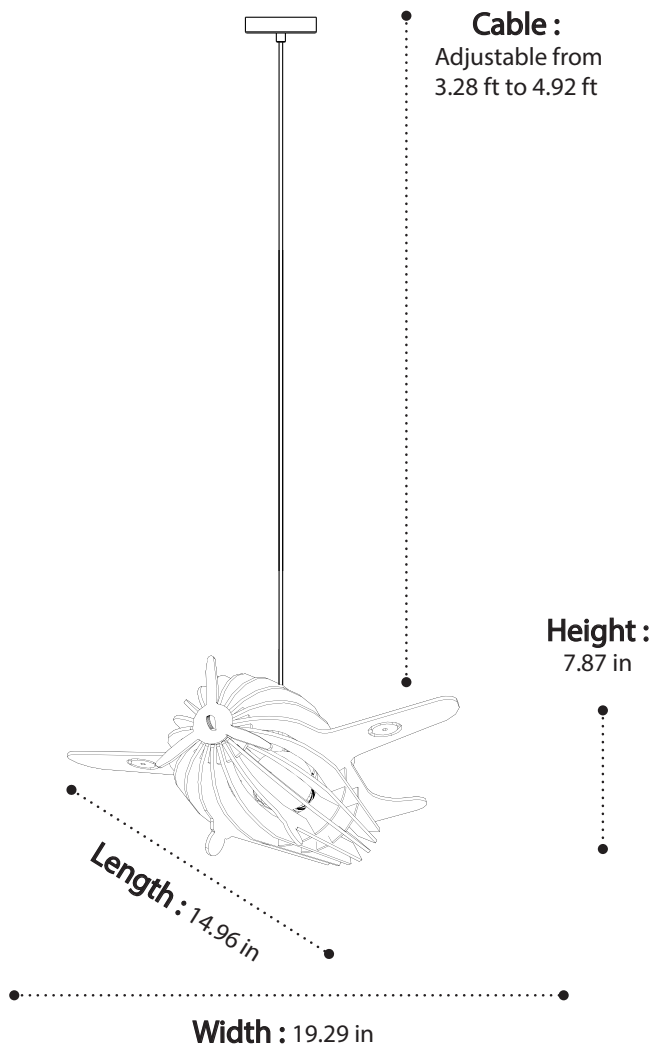
Assembly time: 20 to 25 minutes

For pendant lights, **we recommend 3000K bulbs, a great compromise between illumination and warmth.**

Cable :

Available in white and natural color.





Our lamps

Our table lamps for children

Nomade, our portable lamp, offers the flexibility to illuminate any space according to your preferences. Our inaugural collection presents a whimsical universe designed to captivate both young and old alike. With its soft luminosity, this lamp serves perfectly as a bedside companion or as an additional light source wherever needed.



1 Ariane

2 Antoine

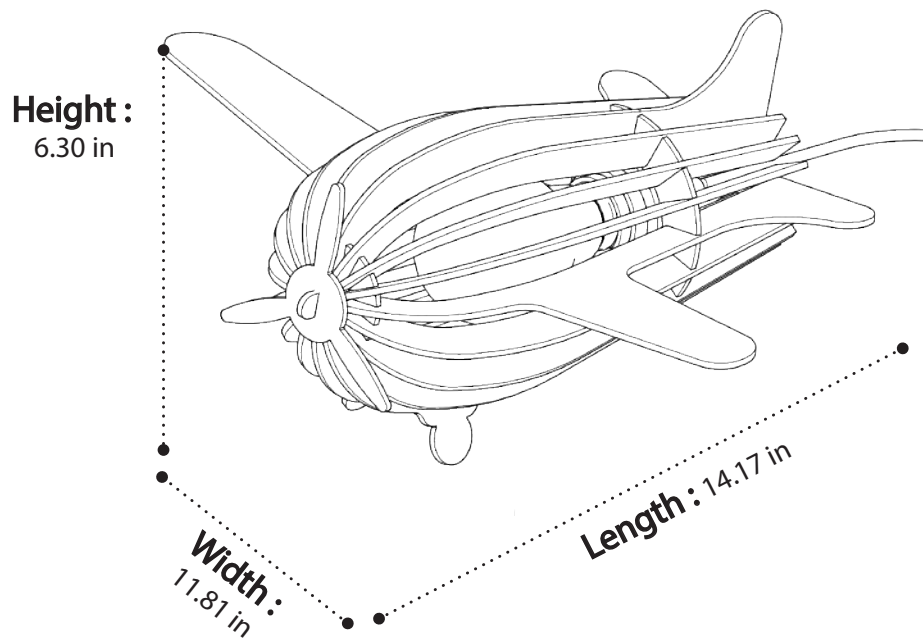
3 Archimède



Antoine

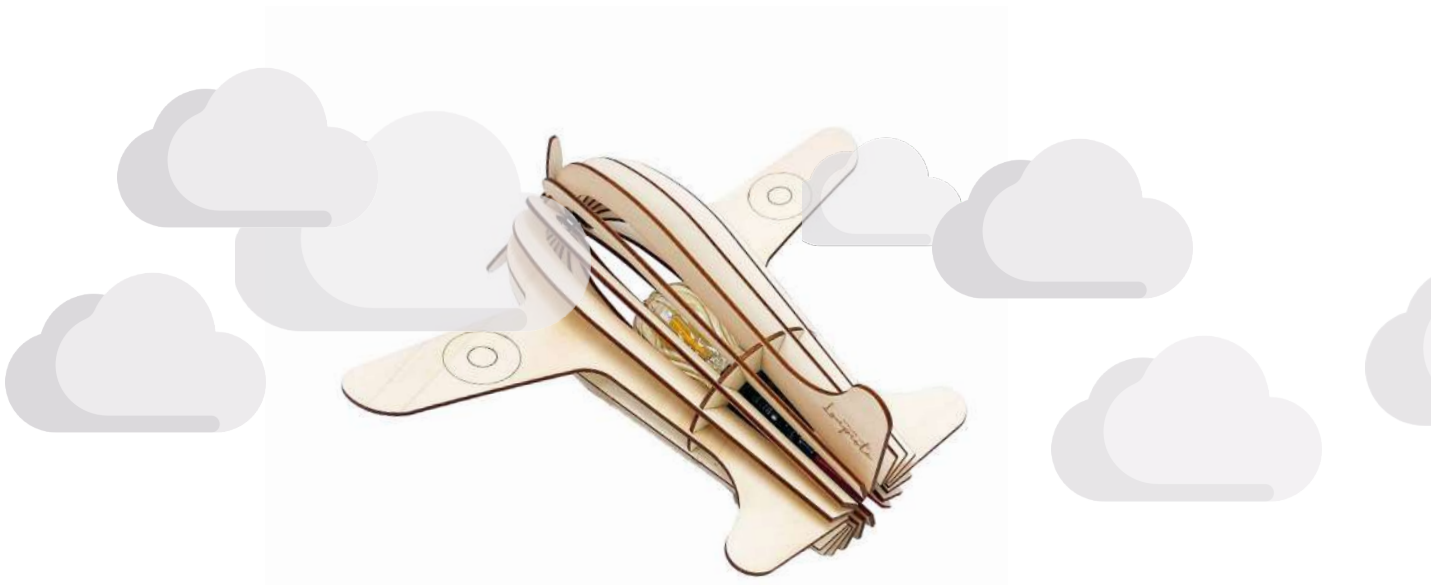
«Fais de ta vie un rêve,
et d'un rêve, une réalité»

- A. de SAINT- EXUPERY



Cables :

Available in burgundy, gold, natural, and pine green.



I made this !

It's an opportunity to share a few moments with your child, to involve them in the creative process, to immerse them in natural materials, and to develop their concentration.



A piece of cake !

Our lovely boxes contain everything needed for easy assembly. The assembly process is designed to be playful: without glue or tools, the pieces fit together effortlessly.

Let yourself be guided by the instructions, it's very easy!



Do you want to be a real adventurer?!

Give it a try!

A bedside lamp for adventurers, a nod to Antoine de Saint-Exupéry, a prominent figure from Lyon.



For our table lamps, the textile cable is 4.92 feet long. The switch is located at 19.69 inches away from the socket. The Bakelite socket can accommodate a bulb with a recommended power of 6W.

Assembly time: approximately 20 minutes.



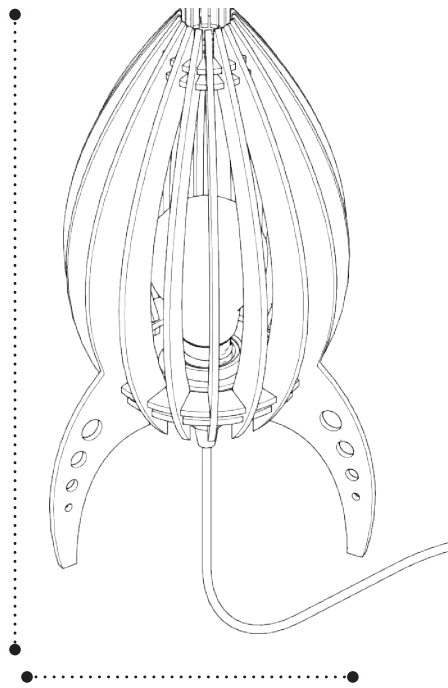
Ariane

«Ce qui importe, ce n'est pas d'arriver, mais d'aller vers.»

- A. de SAINT- EXUPERY

Height :
17.72 in

Width :
11.81 in



Diameter : 14.17 in

Cables :

Available in burgundy, gold, natural, and pine green.



I made this !

It's an opportunity to share a few moments with your child, to involve them in the creative process, to immerse them in natural materials, and to develop their concentration.

A piece of cake !

Our lovely boxes contain everything needed for easy assembly. The assembly process is designed to be playful: without glue or tools, the pieces fit together effortlessly.

Let yourself be guided by the instructions, it's very easy!



Do you want to be a real adventurer?!

Give it a try!

A bedside lamp for adventurers, a nod to Antoine de Saint-Exupéry, a prominent figure from Lyon.



For our table lamps, the textile cable is 4.92 feet long. The switch is located at 19.69 inches away from the socket. The Bakelite socket can accommodate a bulb with a recommended power of 6W.

Assembly time: approximately 20 minutes.

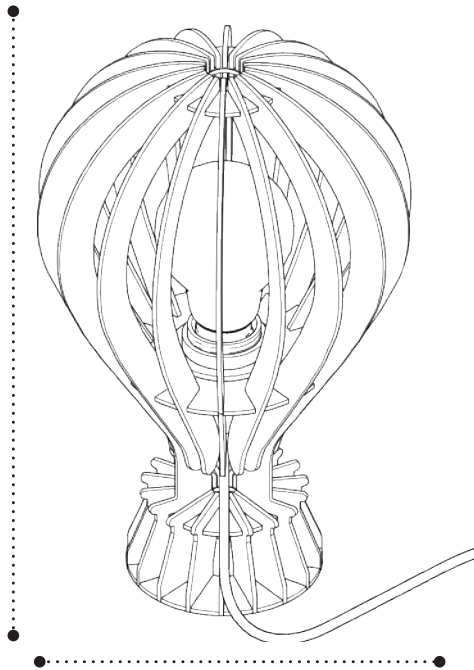


Archimède

«Qui est guidé par une étoile ne regarde jamais en arrière.»

- A. de SAINT-EXUPERY

Height:
13.78 in



Diameter: 5.12 in

Cables:

Available in burgundy, gold, natural, and pine green.



I made this !

It's an opportunity to share a few moments with your child, to involve them in the creative process, to immerse them in natural materials, and to develop their concentration.

A piece of cake !

Our lovely boxes contain everything needed for easy assembly. The assembly process is designed to be playful: without glue or tools, the pieces fit together effortlessly.

Let yourself be guided by the instructions, it's very easy!



Do you want to be a real adventurer?!

Give it a try!

A bedside lamp for adventurers, a nod to Antoine de Saint-Exupéry, a prominent figure from Lyon.



For our table lamps, the textile cable is 4.92 feet long. The switch is located at 19.69 inches away from the socket. The Bakelite socket can accommodate a bulb with a recommended power of 6W.

Assembly time: approximately 20 minutes.



Our lamps

Our table lamps

Nomade, the table lamp can be placed wherever you desire to shape your interior. For this new collection, we have decided to venture beyond the childlike universe by offering modern and minimalist designs.



1 *Oya*

2 *Alba*

3 *Alma*

4 *Atome*

5 *Alesio*





A glimpse into its universe

Collaboration between Kipli and Atelier Loupiote

From the collaboration between Kipli and Atelier Loupiote, the OYA table lamp enchants us with its spherical shape and symmetrical shadows.

To be placed on a bedside table or on a counter in a living room the product has a length of 13.78 inches and comes with a natural cable color, with an E26 socket.

The selection of the bulb significantly impacts the lighting atmosphere of our designs and your surroundings. You have the flexibility to adjust the color temperature, intensity, and design of the LED filaments.

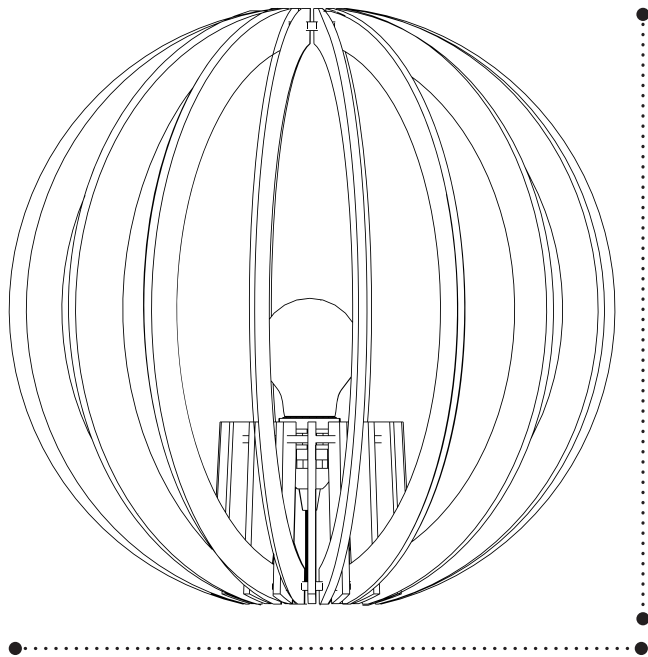
Assembly time: approximately 17 minutes

For our table lamps, **We recommend 3000K bulbs, as they offer a great balance between illumination and warmth.**

Cable:

Available in natural color.





Height:
13.78 in

Diameter: 13.78 in





A glimpse into its universe

Whether used as a bedside lamp or an accent light, the shadows cast by our Alma table lamp gently sculpt your spaces with softness and roundness.

To be placed on a bedside table or on a counter in a living room the product has a length of 14.96 inches and comes with a natural cable color, with an E26 socket.

The selection of the bulb significantly impacts the lighting atmosphere of our designs and your surroundings. You have the flexibility to adjust the color temperature, intensity, and design of the LED filaments.

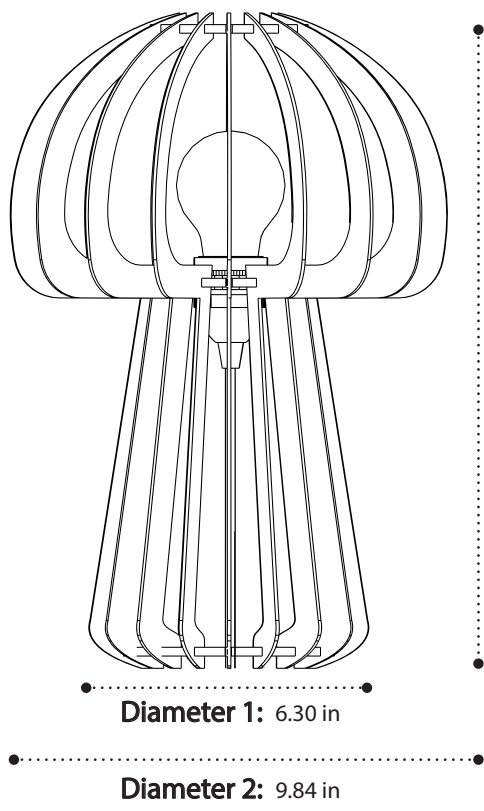
Assembly time: approximately 15 minutes

For our table lamps, **We recommend 3000K bulbs, as they offer a great balance between illumination and warmth.**

Cable:

Available in natural color.







A glimpse into its universe

Whether used alone as a bedside lamp or grouped together as accent lights, the adjustable orientation of our Atome table lamp offers versatility. It's the perfect lamp for manipulating shadows and light to your liking.

To be placed on a bedside table or on a counter in a living room the product has a length of 9.65 inches and comes with a natural cable color, with an E26 socket.

The selection of the bulb significantly impacts the lighting atmosphere of our designs and your surroundings. You have the flexibility to adjust the color temperature, intensity, and design of the LED filaments.

Assembly time: approximately 15 minutes

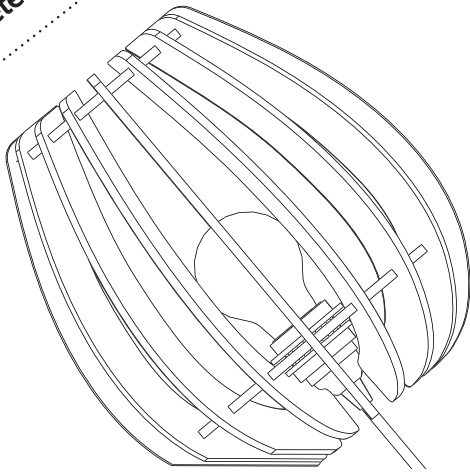
For our table lamps, **We recommend 3000K bulbs, as they offer a great balance between illumination and warmth.**

Cable:

Available in natural color.



Diameter 1: 5.12 in



Height:
9.65 in

Diameter 2: 8.27 in





A glimpse into its universe

The sleek and minimalist curves of our Alesio table lamp make it an elegant model, suitable for all types of spaces. Perfect as a bedside lamp and an accent light.

To be placed on a bedside table or on a counter in a living room the product has a length of 14.57 inches and comes with a natural cable color, with an E26 socket.

The selection of the bulb significantly impacts the lighting atmosphere of our designs and your surroundings. You have the flexibility to adjust the color temperature, intensity, and design of the LED filaments.

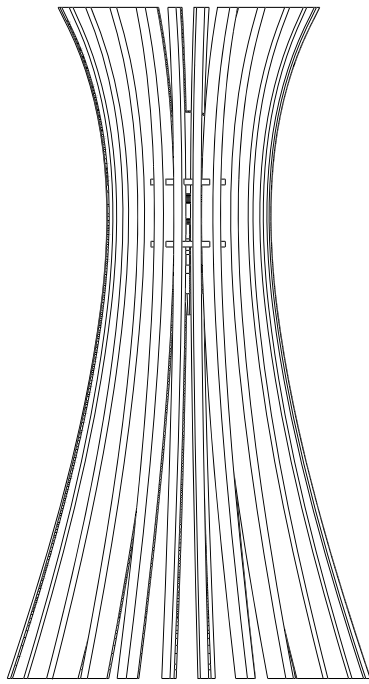
Assembly time: approximately 15 minutes

For our table lamps, **We recommend 3000K bulbs, as they offer a great balance between illumination and warmth.**

Cable:

Available in natural color.





Diameter : 8.07 in



**Height :
14.57 in**





A glimpse into its universe

Whether used as a bedside lamp or an accent light, our Alba table lamp, a variation of our Albatros pendant, will adorn your spaces effortlessly, with poetry and lightness.

To be placed on a bedside table or on a counter in a living room the product has a length of 15.75 inches and comes with a black cable color, with an E26 socket.

The selection of the bulb significantly impacts the lighting atmosphere of our designs and your surroundings. You have the flexibility to adjust the color temperature, intensity, and design of the LED filaments.

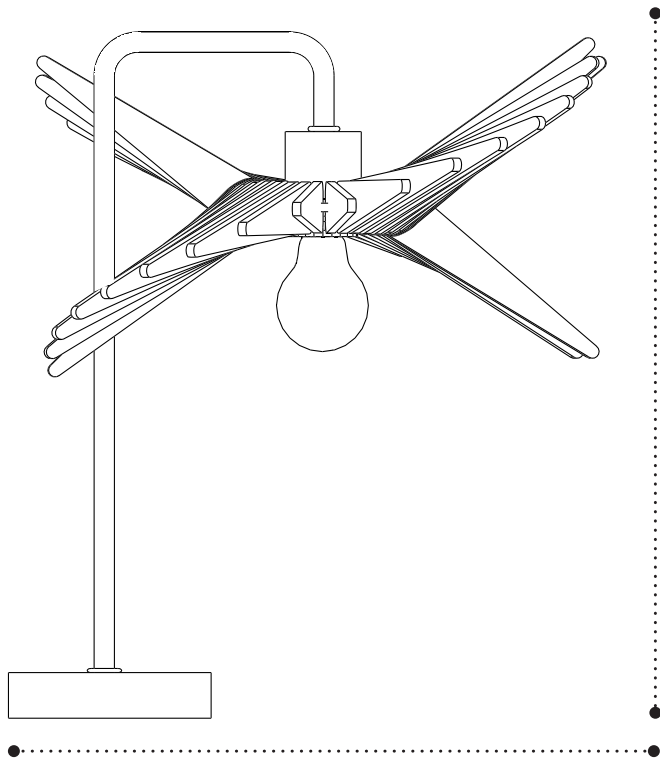
Assembly time: approximately 15 minutes

For our table lamps, **We recommend 3000K bulbs, as they offer a great balance between illumination and warmth.**

Cable:

Available in black.





Height:
15.75 in

Width: 14.96 in



Our lamps

Wall Sconces

Sculptural, our wall sconces are making their grand entrance into the world of lighting. Whether solo or paired, they seamlessly find their place above a bedside table, in a hallway, or an entrance, creating an ambiance as cozy as it is elegant!

- 1 Ariel applique
- 2 Azur applique
- 3 Assia applique
- 4 Albatros applique
- 5 Ava applique



1



2



3



4



5



Ariel applique

A glimpse into its universe

Ariel curves gracefully to offer you an enchanting design, always simple and minimalist. Whether solo or paired, this wall sconce is ideal above a bedside table, in a hallway, or an entrance.

Our wall sconces include the necessary electrical system: metal bracket and electrical connection.

The choice of bulb greatly influences the lighting ambiance of our creations and your spaces. The selection of bulbs significantly impacts the lighting ambiance of our fixtures and your surroundings. You have the flexibility to adjust color temperature, intensity, and LED filament design. An E12 LED bulb is required, with warm light output recommended up to 8W.

Assembly time: 13 to 15 minutes

For the wall sconces, **we recommend 3000K bulbs, offering an excellent balance between illumination and warmth.**

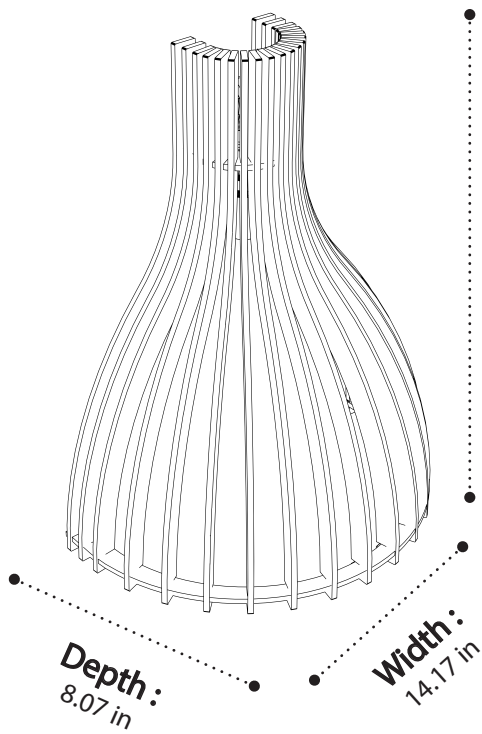
Metal bracket :

Concealed behind the sconce.





Height :
17.72 in





Azur applique

A glimpse into its universe

Exuding simplicity and minimalism, the Azur wall sconce mirrors the sleek curvature of our Azur pendant, seamlessly adapting to various décors. Crafted with wooden slats, it emits a warm and diffuse light, making it an ideal choice above a bedside table, in a hallway, or an entrance.

Our wall sconces include the necessary electrical system: metal bracket and electrical connection.

The choice of bulb greatly influences the lighting ambiance of our creations and your spaces. The selection of bulbs significantly impacts the lighting ambiance of our fixtures and your surroundings. You have the flexibility to adjust color temperature, intensity, and LED filament design. An E12 LED bulb is required, with warm light output recommended up to 8W.



Assembly time: 13 to 15 minutes

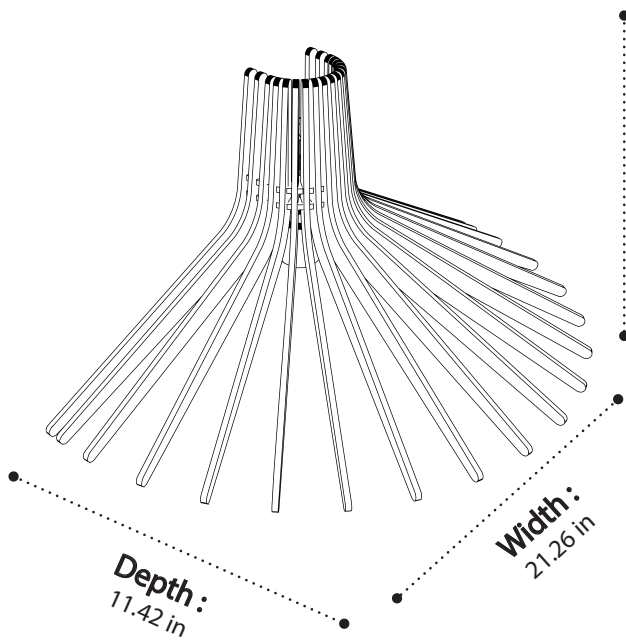
For the wall sconces, **we recommend 3000K bulbs, offering an excellent balance between illumination and warmth.**

Metal bracket :
Concealed behind the sconce.





Height :
10.63 in





Assia applique

A glimpse into its universe

Assia, with its shell-like form, gracefully curves to offer an enchanting and minimalist design. Whether solo, in pairs, or in a trio, this wall sconce is ideal above a bedside table, in a hallway, or an entrance.

Our wall sconces include the necessary electrical system: metal bracket and electrical connection.

The choice of bulb greatly influences the lighting ambiance of our creations and your spaces. The selection of bulbs significantly impacts the lighting ambiance of our fixtures and your surroundings. You have the flexibility to adjust color temperature, intensity, and LED filament design. An E12 LED bulb is required, with warm light output recommended up to 8W.



Assembly time: 13 to 15 minutes

For the wall sconces, **we recommend 3000K bulbs, offering an excellent balance between illumination and warmth.**

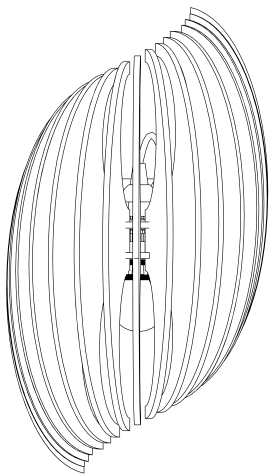
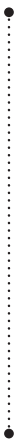
Metal bracket :

Concealed behind the sconce.

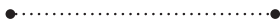




Slat's height :
11.81 in



Height :
15.75 in



Width:
7.48 in

Depth : 5.12 in



Albatros

applique

A glimpse into its universe

Albatros is a majestic luminaire that commands attention in any space. Its slender wooden slats play with light, diffusing brightness and casting delicate shadow patterns on the ceiling. Our wall sconce version fits perfectly above a bedside table, in a hallway, or an entrance. Psst, you can also rearrange the slats according to your preference.

Our wall sconces include the necessary electrical system: metal bracket and electrical connection.

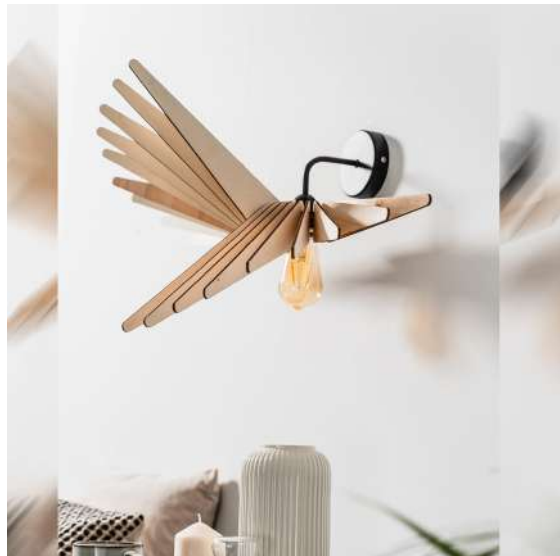
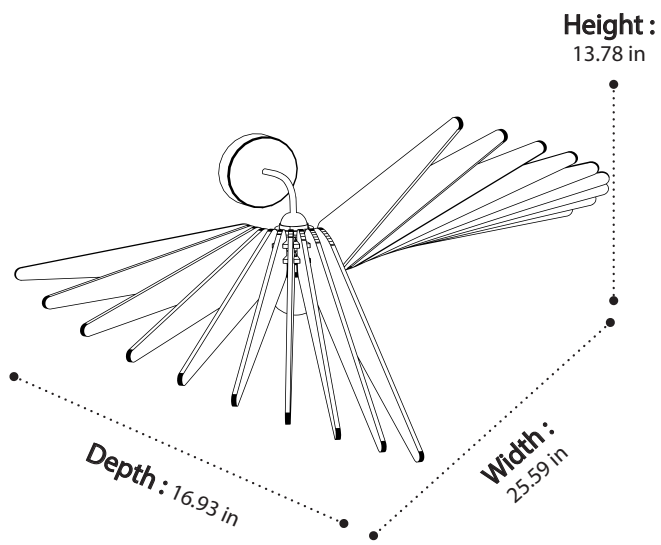
The choice of bulb greatly influences the lighting ambiance of our creations and your spaces. The selection of bulbs significantly impacts the lighting ambiance of our fixtures and your surroundings. You have the flexibility to adjust color temperature, intensity, and LED filament design. An E26 LED bulb is required, with warm light output recommended up to 8W.

Assembly time: 13 to 15 minutes

For the wall sconces, **we recommend 3000K bulbs, offering an excellent balance between illumination and warmth.**

Metal Bracket :
Black







Ava applique

A glimpse into its universe

Ava, with its delicate design, offers a warmth that can be both soft and subdued or radiant and luminous. The perforated slats add a timeless elegance and accentuate the surrounding volumes. Perfectly suited above a bedside table, in a hallway, or an entrance.

Our wall sconces include the necessary electrical system: metal bracket and electrical connection.

The choice of bulb greatly influences the lighting ambiance of our creations and your spaces. The selection of bulbs significantly impacts the lighting ambiance of our fixtures and your surroundings. You have the flexibility to adjust color temperature, intensity, and LED filament design. An E12 LED bulb is required, with warm light output recommended up to 8W.



Assembly time: 13 to 15 minutes

For the wall sconces, **we recommend 3000K bulbs, offering an excellent balance between illumination and warmth.**

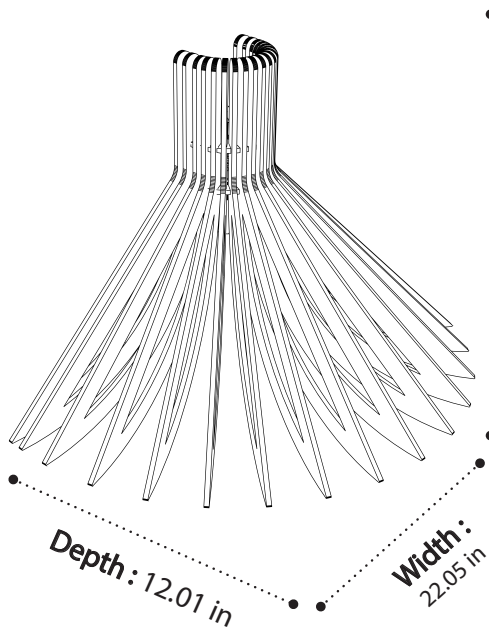
Metal bracket :

Concealed behind the sconce.





Height :
14.17 in



Depth : 12.01 in

Width :
22.05 in



Our lamps

Our Floor Lamps

Dive into our sculptural world with our wooden tripod floor lamps. The new Atelier Loupiote collection offers unparalleled flexibility, effortlessly adapting to various interior styles. The portable design of our French floor lamps allows you to place them wherever you desire, adding a touch of character and sophistication to every corner of your home. Whether it's industrial or minimalist decor, the Atelier Loupiote floor lamps blend seamlessly, thanks to a choice of tripod designs that stand out.

- 1 *Angèle*
- 2 *Athéna*
- 3 *Alizée*
- 4 *Agathe*
- 5 *Apollon*
- 6 *Tipi*





Angèle

A glimpse into its universe

Whether used individually or in pairs, our Angèle floor lamp adds a striking vintage design touch to your spaces. Whether your interior design leans towards contemporary or minimalist, its tripod, available in black metal or wood, perfectly complements your décor.

Our floor lamps include the essential electrical components: metal or wooden base and electrical wiring.

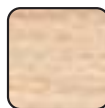
The choice of bulb greatly impacts the lighting ambiance of our designs and your spaces. You have the flexibility to adjust the color temperature, intensity, and LED filament design.

An E26 LED bulb (required) is recommended, offering warm light with a power range up to 10W.

Assembly Time: 20 to 25 minutes

For our floor lamps, **We recommend bulbs with a color temperature of 2500K- 3000K, offering an excellent balance between illumination and warmth**

Tripod :
Wood



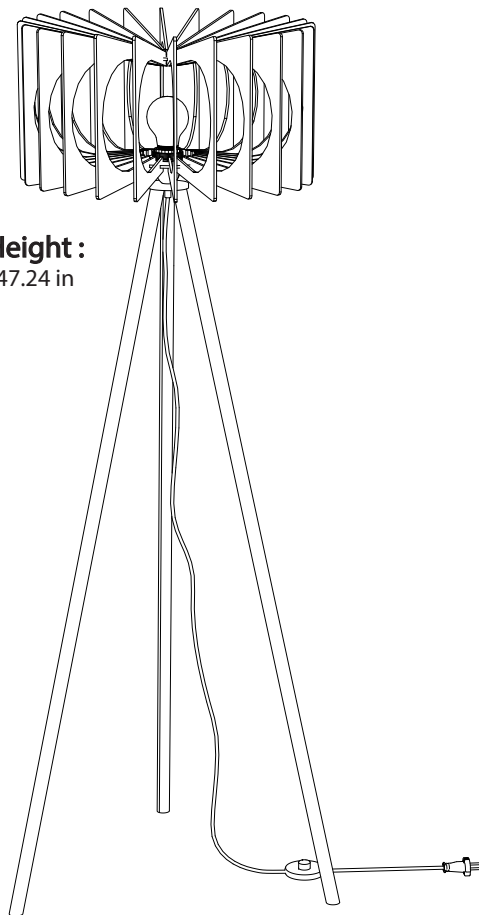
Black



Diameter :
17.72 in

Height :
57.09 in

Height :
47.24 in



Distance :
23.62 in

Diameter :
15.75 in

Height :
45.28 in

Height :
35.43 in



Distance :
17.72 in





Athéna

A glimpse into its universe

Be it small or large, the bevel of our Athéna floor lamp imbues spaces with a warm, luminous ambiance, providing structural elegance. Whether your interior design is contemporary or minimalist, its tripod, available in black metal or wood, seamlessly integrates into your space.

Our floor lamps include the essential electrical components: metal or wooden base and electrical wiring.

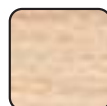
The choice of bulb greatly impacts the lighting ambiance of our designs and your spaces. You have the flexibility to adjust the color temperature, intensity, and LED filament design.

An E26 LED bulb (required) is recommended, offering warm light with a power range up to 10W.

Assembly Time: 20 to 25 minutes

For our floor lamps, **We recommend bulbs with a color temperature of 2500K- 3000K, offering an excellent balance between illumination and warmth**

Tripod :
Wood



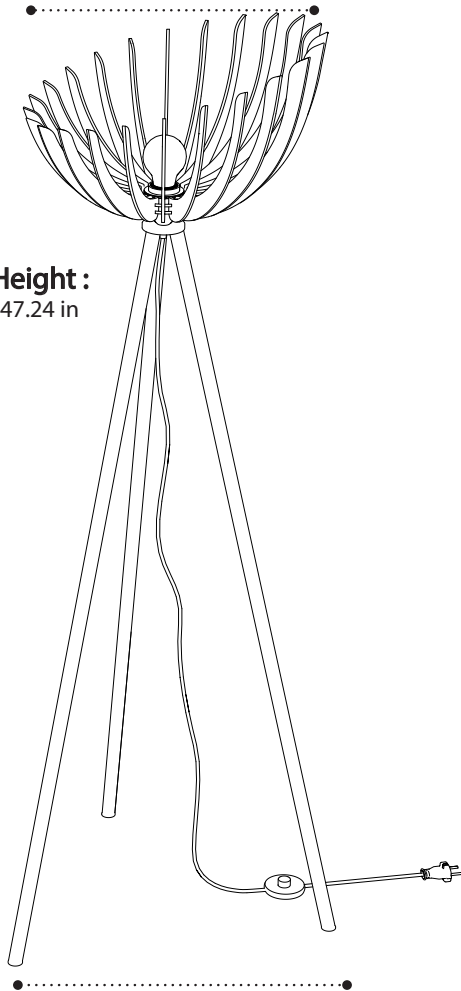
Black



Height:
57.48 in

Diameter:
17.32 in

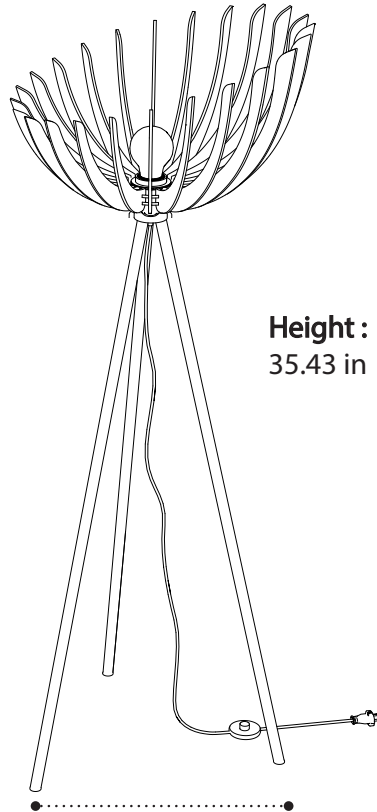
Height:
47.24 in



Distance:
23.62 in

Diameter:
17.32 in

Height:
45.67 in



Height:
35.43 in

Distance:
17.72 in





Alizée

A glimpse into its universe

Whether utilized singularly or in pairs, the reinterpreted classic lines of our Alizée floor lamp exude a distinguished design in your spaces. Whether your interior decor leans towards contemporary or minimalist, its tripod, offered in black metal or wood, seamlessly integrates into your environment.

Our floor lamps include the essential electrical components: metal or wooden base and electrical wiring.

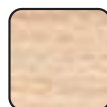
The choice of bulb greatly impacts the lighting ambiance of our designs and your spaces. You have the flexibility to adjust the color temperature, intensity, and LED filament design.

An E26 LED bulb (required) is recommended, offering warm light with a power range up to 10W.

Assembly Time: 20 to 25 minutes

For our floor lamps, **We recommend bulbs with a color temperature of 2500K- 3000K, offering an excellent balance between illumination and warmth**

Tripod :
Wood

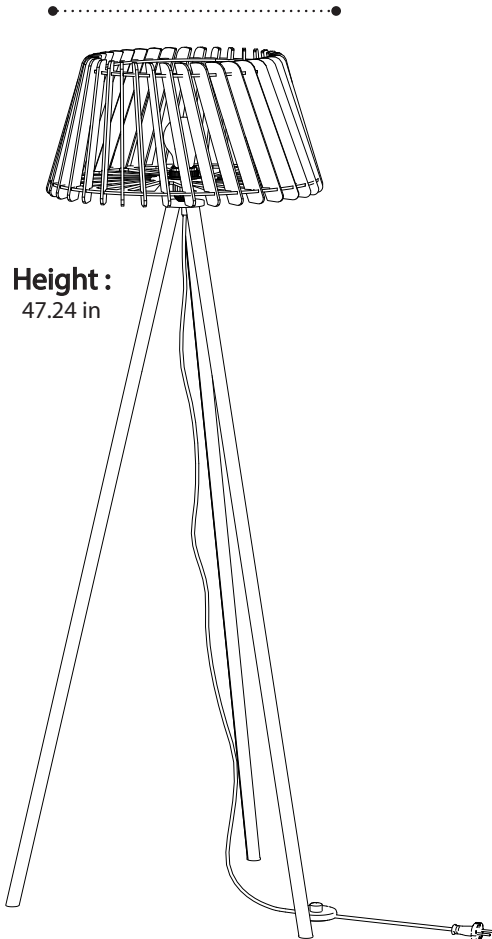


Black



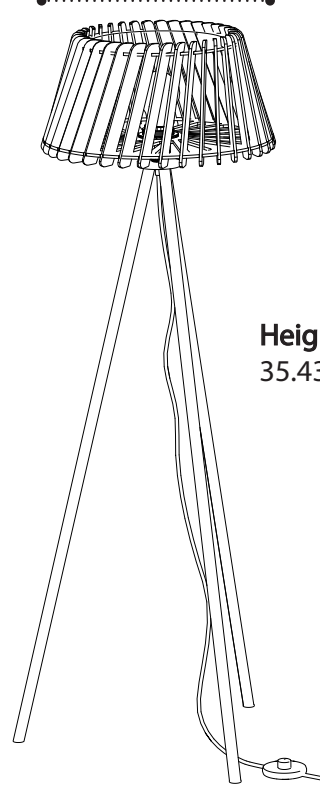
Height :
59.45 in

Diameter :
16.14 in



Height :
47.24 in

Diameter :
13.78 in



Height :
35.43 in

Height :
42.52 in

Distance :
23.62 in

Distance :
17.72 in





Agathe

A glimpse into its universe

Whether used individually or as a duo, the captivating curves of our Agathe floor lamp imbue spaces with softness, roundness, and serenity. Whether your interior design leans towards contemporary or minimalist, its tripod, offered in black metal or wood, seamlessly integrates into your space.

Our floor lamps include the essential electrical components: metal or wooden base and electrical wiring.

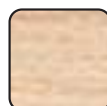
The choice of bulb greatly impacts the lighting ambiance of our designs and your spaces. You have the flexibility to adjust the color temperature, intensity, and LED filament design.

An E26 LED bulb (required) is recommended, offering warm light with a power range up to 10W.

Assembly Time: 20 to 25 minutes

For our floor lamps, **We recommend bulbs with a color temperature of 2500K- 3000K, offering an excellent balance between illumination and warmth**

Tripod :
Wood



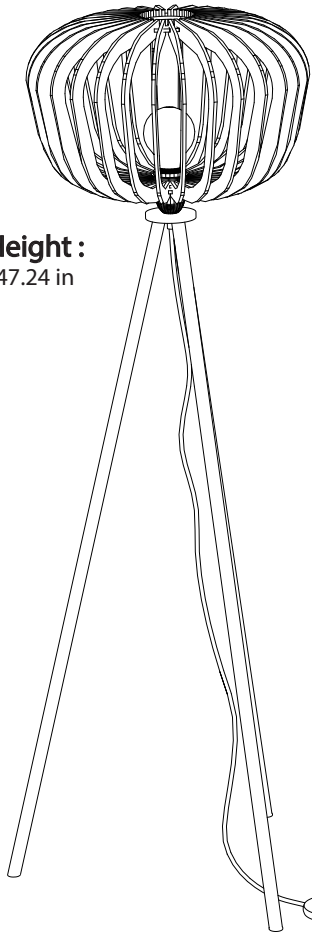
Black



Height :
57.87 in

Diameter:
17.72 in

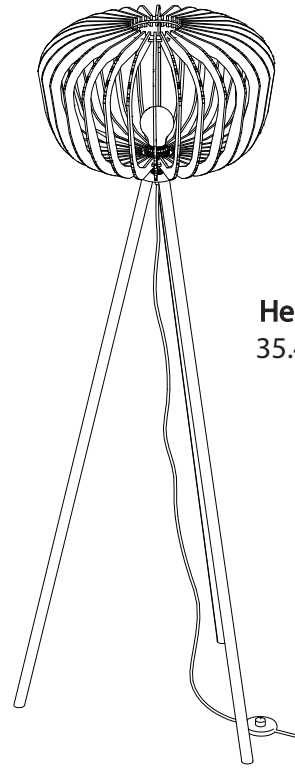
Height :
47.24 in



Distance :
23.62 in

Diameter :
13.78 in

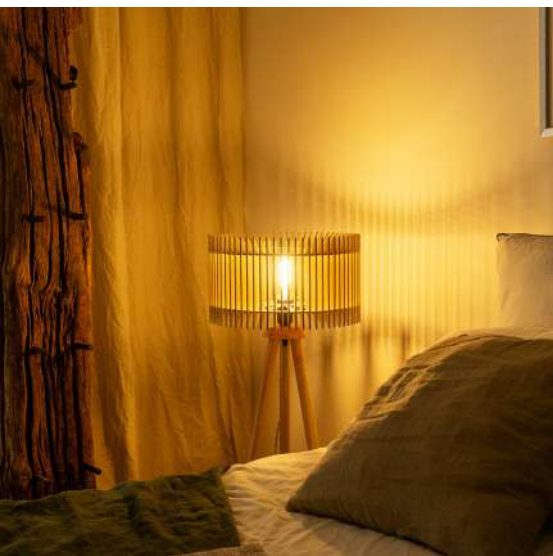
Height:
35.43 in



Distance :
17.72 in

Height :
44.09 in





Apollon

A glimpse into its universe

Apollon stands as a majestic floor lamp. Whether used individually or in pairs, it exudes radiance, wisdom, and subtlety reminiscent of the Sun God, infusing your spaces with a divine presence. Whether your interior style leans towards contemporary or minimalist, its tripod, offered in black metal or wood, seamlessly integrates into your environment.

Our floor lamps include the essential electrical components: metal or wooden base and electrical wiring.

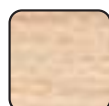
The choice of bulb greatly impacts the lighting ambiance of our designs and your spaces. You have the flexibility to adjust the color temperature, intensity, and LED filament design.

An E26 LED bulb (required) is recommended, offering warm light with a power range up to 10W.

Assembly Time: 20 to 25 minutes

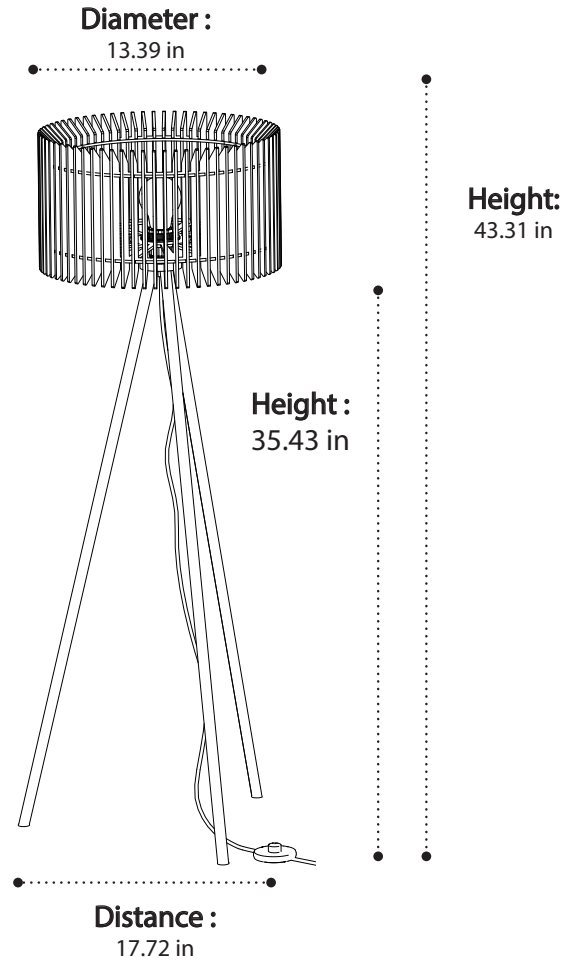
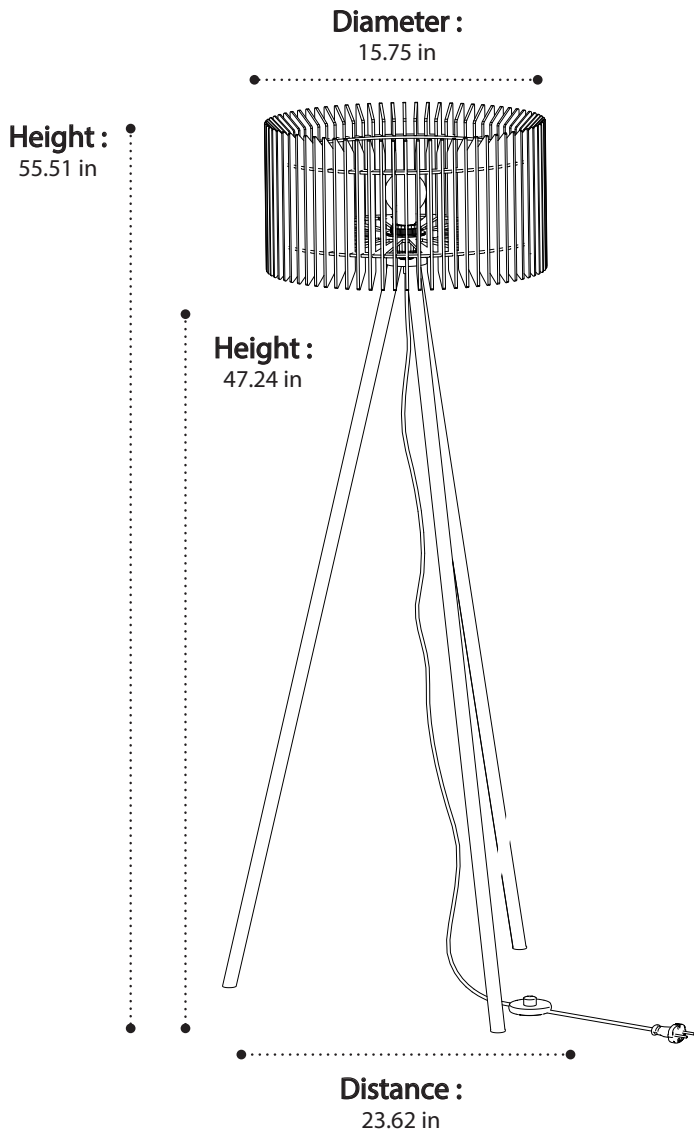
For our floor lamps, **We recommend bulbs with a color temperature of 2500K- 3000K, offering an excellent balance between illumination and warmth**

Tripod :
Wood



Black







A glimpse of its universe

Kipli X Atelier Loupiote Collaboration

Derived from the Kipli x Atelier Loupiote collaboration, our TIPI floor lamp sculpts interiors, imparting them with a distinctive charm.

To be placed on the floor, the product features a 8.20 ft natural cable color and an E26 socket. The socket can be fixed either towards the floor or the ceiling, depending on the desired light diffusion.

The choice of bulb significantly influences the lighting ambiance of our creations and your spaces. You can adjust the color temperature, intensity, and design of LED filaments to suit your preferences.

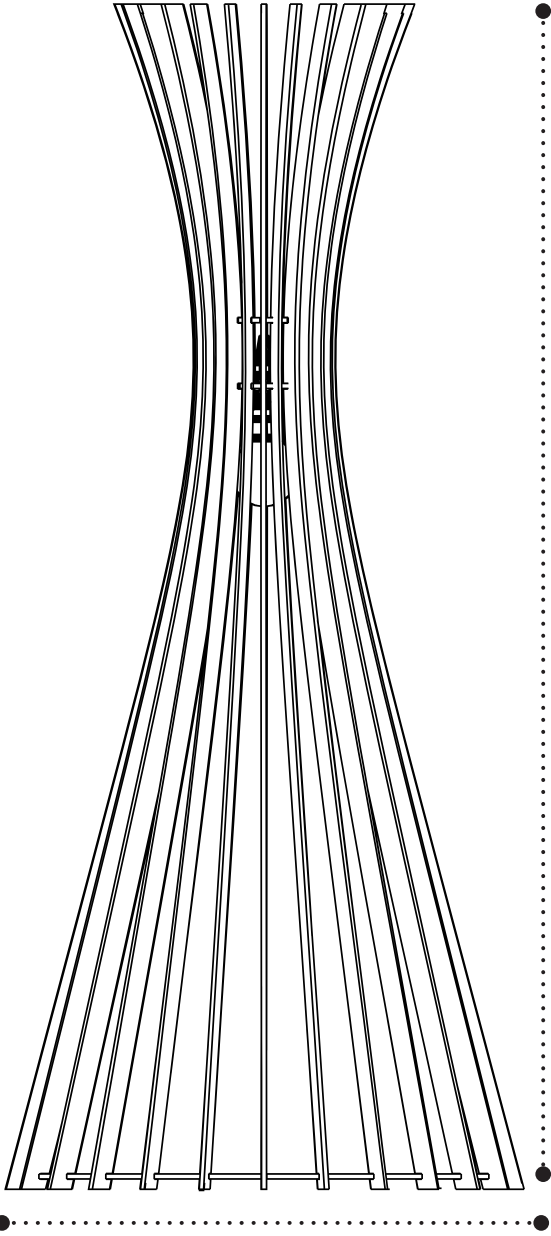
Assembly time: Approximately 20 minutes.

For our floor lamps, **We recommend bulbs with a color temperature of 2500K- 3000K, offering an excellent balance between illumination and warmth**

Cable:

Available in natural color.





Height:
46.46 in

Diameter: 18.90 in



Thank you !

We are delighted to have you on board with Atelier Loupiote and thank you for contributing to the growth of this project, which means so much to us.

Something bright awaits you !

Conceived in our minds and crafted by our hands, all our luminaires are brilliantly manufactured in our workshop in Lyon to ensure **a 100% local production.**

To stay updated on our latest releases, you can follow us on Facebook, Instagram, and TikTok, as well as visit our website.

atelier-loupiote.fr



**Maxime - Founder
Atelier Loupiote**